

COMPRESSOR

LINEAR

Ac0901

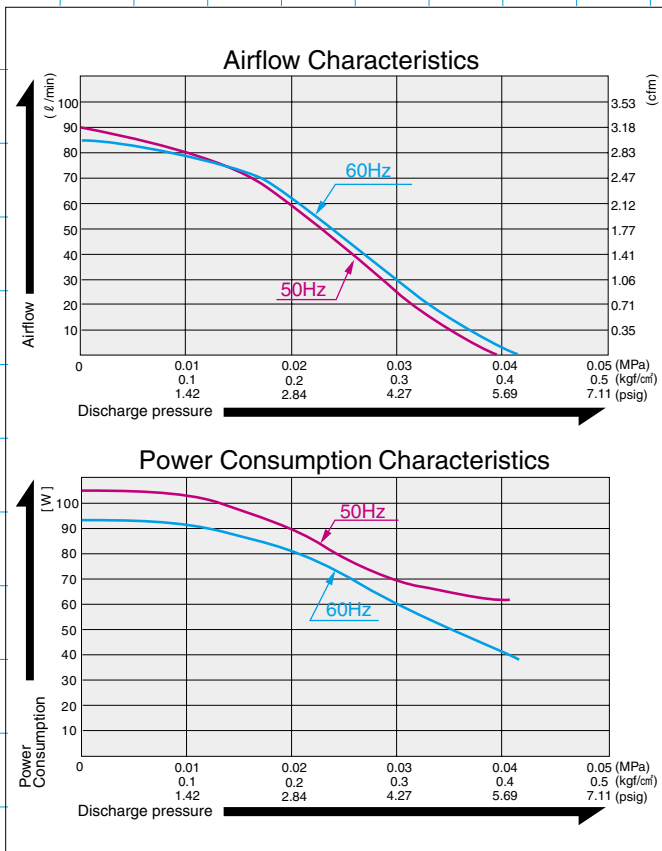


MOTOR FREE
PISTON SYSTEM



Airflow & Power Consumption

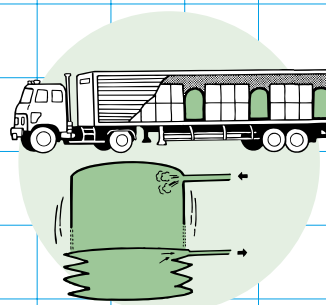
Specifications



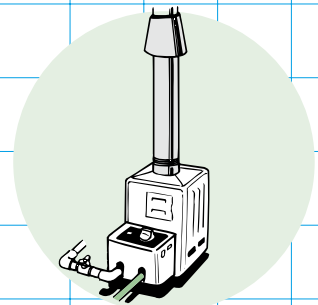
| | (SI) | (EURO) | (U.S.A.) |
|-----------------------|--|---------------------|-----------|
| Rated Pressure | 0.01 MPa (0.1 kgf/cm ²) | 0.1 bar | 1.42 psig |
| Rated Airflow | 80 l/min | | 2.83 cfm |
| Rated Voltage | 115 V AC or 230 V AC | | |
| Maximum Pressure | 0.04 MPa (0.4 kgf/cm ²) | 0.4 bar | 5.69 psig |
| Power Consumption | 88 W or 99 W | | |
| Rated Frequency | 60 Hz or 50 Hz | | |
| Life Expectancy | 10,000 hours | | |
| Outlet | ISO Rc 3/8 (female threaded) | | |
| Duty Cycle | Continuous | | |
| Coil Insulation Class | E or its equivalent (JETL) or B for UL | | |
| Mounting Dimensions | 102 (L) x 130 (W) mm | 4" (L) x 5-1/8" (W) | |
| Gross Weight | 4.9 kg | | 10.8 Lbs. |
| Leadwire Length | 300 mm | 11-13/16" for 115V | |

Please read the page of "How to Use This Catalog" first for correct use of compressors and pumps.

Application Examples



Pneumatic Jack



Gas Burner Booster

Sketch Drawing and Mounting Dimensions Diagram (mm)

