

COMPRESSOR

LINEAR Ac0110

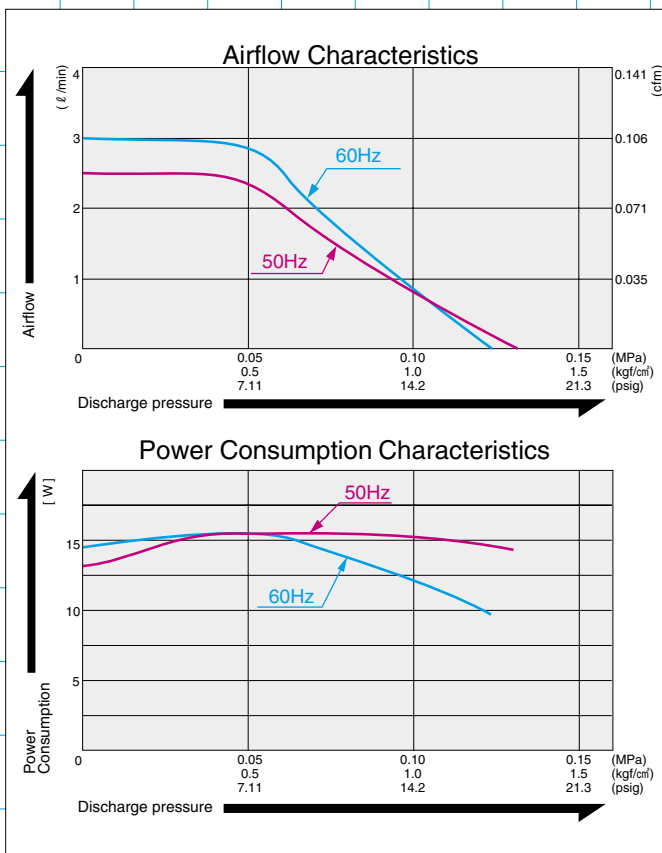


MOTOR FREE
PISTON SYSTEM



Airflow & Power Consumption

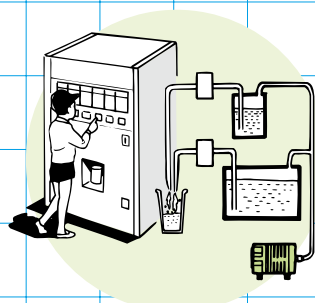
Specifications



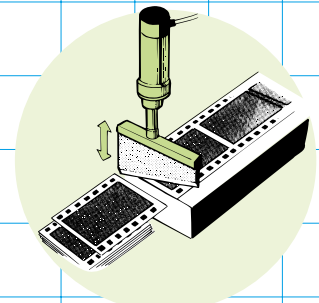
	(SI)	(EURO)	(U.S.A.)
Rated Pressure	0.1 MPa {1.0 kgf/cm ² }	1.0 bar	14.2 psig
Rated Airflow	0.8 l /min		0.028 cfm
Rated Voltage	115 V AC or 230 V AC		
Maximum Pressure	0.12 MPa {1.2 kgf/cm ² }	1.2 bar	17.1 psig
Power Consumption	12 W or 15 W		
Rated Frequency	60 Hz or 50 Hz		
Life Expectancy	3,000 hours		
Outlet	6 mm O.D. hose nipple		
Duty Cycle	30 minutes		
Coil Insulation Class	E or its equivalent (JETL) and B for UL		
Mounting Dimensions	48 (L) x 62 (W) mm	1-7/8" (L) x 2-7/16" (W)	
Gross Weight	0.7 kg		1.54 Lbs.
Leadwire Length	200 mm		7-7/8"

Please read the page of "How to Use This Catalog" first for correct use of compressors and pumps.

Application Examples



Automatic Dispenser



Film Cutter

Sketch Drawing and Mounting Dimensions Diagram (mm)

