

VSO-BT Benchtop Controller

Pressure Controllers



The VSO-BT Electronic Benchtop pressure controller combines the closed loop performance features of OEM-grade electronic pressure controllers into a form factor suitable for laboratory and prototype development work. Used in microfluidic and life science research, this unit replaces manual regulators, sensors, gauges, and tubing assemblies while providing considerably better pressure accuracy and eliminating pressure drift and fluctuation.

Typical applications include:

- Liquid Piloting
- Microfluidics
- Cytometry Research
- Oocyte Chambers

Features

- Simple adjustment of closed-loop pressure set points via front panel knob
- Electrical inputs for high resolution set points
- Set and display pressure in your choice of units
- Optional I/O hook-ups allow high resolution and/or remote operation
- Quick disconnect fittings for easy pneumatic connection

Physical Properties

Media:
Air and non-corrosive gasses
Operating Environment:
0 to 55°C (32 to 131°F)
Storage Temperature:
-40 to 55°C (-40 to 131°F)
Dimensions (W x L x H):
5.08 x 5.25 x 2.25 in (129 x 133 x 57 mm)
Weight:
2 lbs (907 grams)

Electrical

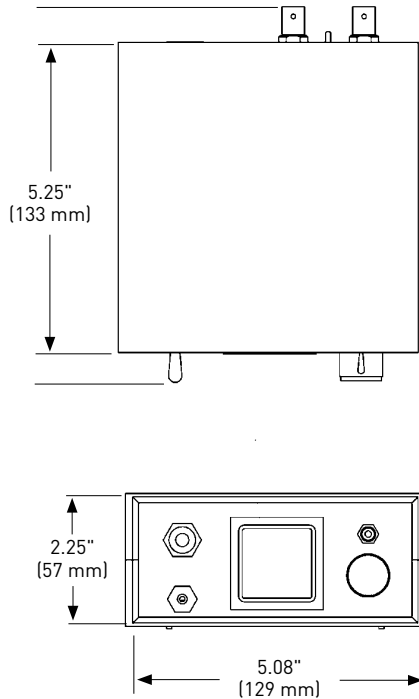
Input Power:
100 - 240 VAC* (50-60 Hz) *power supply and 6ft. cord included
I / O:
0-5 VDC analog input for high resolution (0.001 psi) pressure set points 0-5 VDC monitor output signal allows high resolution (0.001 psi)
LED Display
3 digit visual (0.375" height) with choice of pressure units (see ordering information)
Refresh rate
0.1 sec

Performance Characteristics

Pneumatic
Includes 2 pcs of Parker Presto-Loc quick disconnect fittings for 1/4" urethane tubing
Recommended Pressure Source:
120% rated pressure
Accessories (not included)
Burst proof air-over-liquid piloting chamber

VSO-BT Pressure Controllers

Dimensions



Electrical Connections



Ordering Information

MODEL	VSO-BT-015	VSO-BT-050	VSO-BT-100
Pressure Range (psig)	0-14.7	0-50	0-100
Actual Resolution from monitor signal (psi)	0.001	0.001	0.001
Display Resolution (psi)	0.1	0.1	1
Display Resolution (bar)	0.001	0.01	0.01
Display Resolution (kPa)	0.1	1	1
Display Resolution (Kgf/cm ³)	0.001	0.01	0.01
Repeatability of Pressure Control	0.2%FS	0.2%FS	0.2%FS



NOTE: Please consult Parker Precision Fluidics for other considerations. For more detailed information, visit us on the Web, or call and refer to Performance Spec #790-002202-004 and Drawing #890-003213-001

PPF-EPC-002/US Sept 2009

For more information call 1 .800.525.2857 or email ppfinfo@parker.com
Visit www.parker.com/precisionfluidics

