

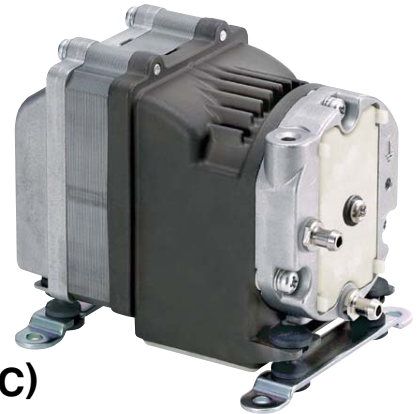
VACUUM PUMP

LINEAR Piston DC



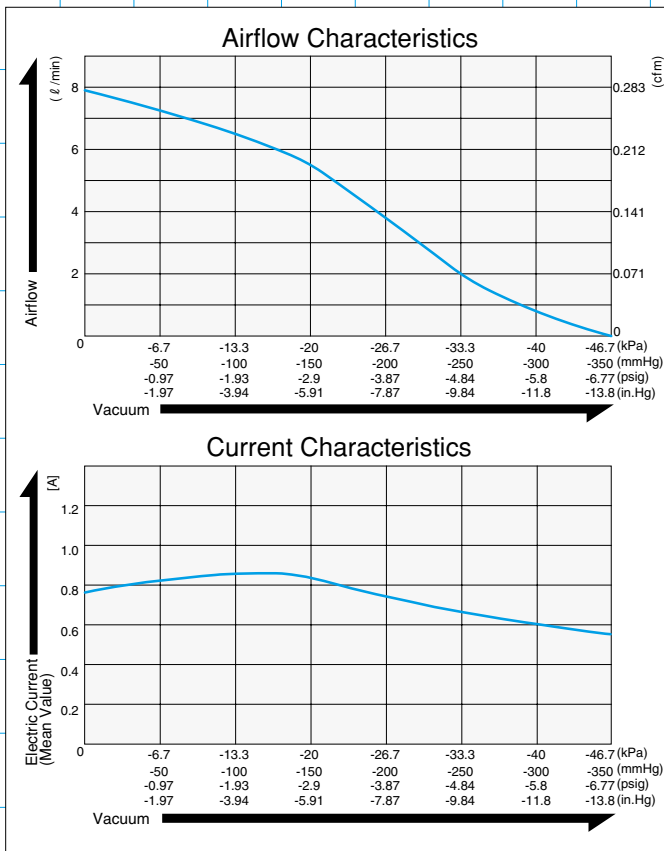
MOTOR FREE
PISTON SYSTEM

DVH130-X1 (12V DC)



Airflow & Electric Current

Specifications



	(SI)	(EURO)	(U.S.A.)
Attainable Vacuum	-40 kPa (-300 mmHg)	-400 mbar	-11.8 in.Hg
Free Air Displacement	7 l/min ※		0.247 cfm
Rated Voltage	12 V DC		
Current (Mean Value)	0.86A		
Life Expectancy	10,000 hours		
Inlet	6 mm O.D. hose barb		
Outlet	6 mm O.D. hose barb		
Duty Cycle	Continuous		
Coil Insulation Class	A or its equivalent		
Mounting Dimensions	76 mm(L) x 70 mm(W)	3"(L) x 2-3/4"(W)	
Gross Weight	0.91 kg	2.01 Lbs.	
Leadwire Length	300 mm	11-13/16"	

※ Air displacement at no-load operation
Please read the page of "How to Use This Catalog" first for correct use of compressors and pumps.

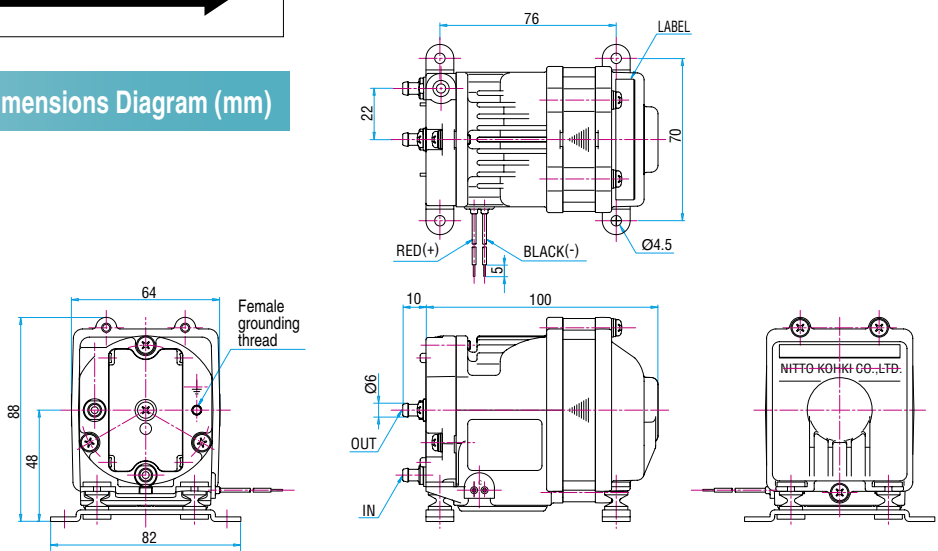
General Conditions

Ambient Temperature: 0 ~ 40°C
Ambient Humidity: 30 ~ 85%
Fluid: Air

Applications

Medical equipment, analyzers, etc.

Sketch Drawing and Mounting Dimensions Diagram (mm)



VACUUM PUMP

LINEAR Piston DC



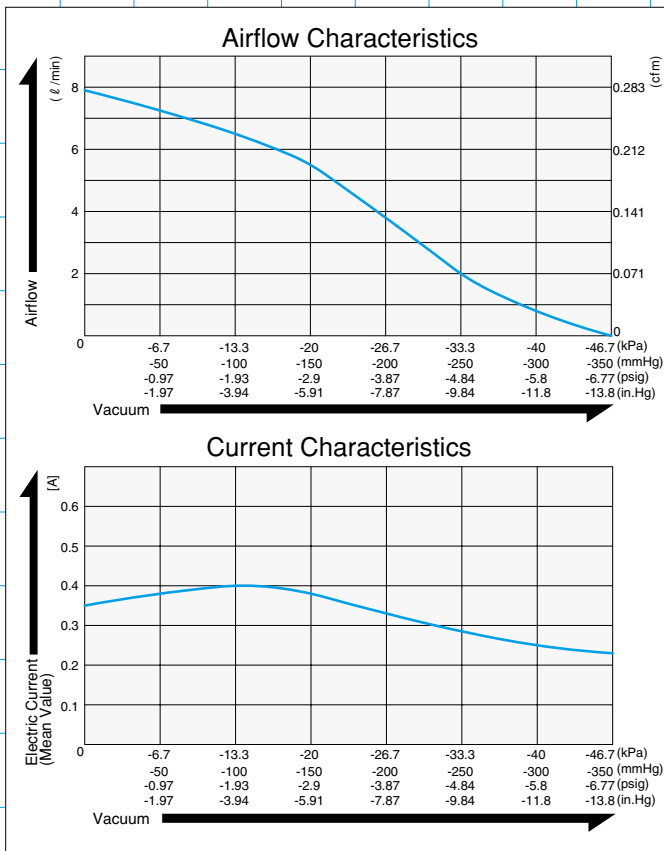
MOTOR FREE
PISTON SYSTEM

DVH130-Y1 (24V DC)



Airflow & Electric Current

Specifications



	(SI)	(EURO)	(U.S.A.)
Attainable Vacuum	-40 kPa (-300 mmHg)	-400 mbar	-11.8 in.Hg
Free Air Displacement	7 l / min *		0.247 cfm
Rated Voltage	24 V DC		
Current (Mean Value)	0.41A		
Life Expectancy	10,000 hours		
Inlet	6 mm O.D. hose barb		
Outlet	6 mm O.D. hose barb		
Duty Cycle	Continuous		
Coil Insulation Class	A or its equivalent		
Mounting Dimensions	76 mm(L) x 70 mm(W)	3"(L) x 2-3/4"(W)	
Gross Weight	0.91 kg	2.01 Lbs.	
Leadwire Length	300 mm	11-13/16"	

* Air displacement at no-load operation
Please read the page of "How to Use This Catalog" first for correct use of compressors and pumps.

General Conditions

Ambient Temperature: 0 ~ 40°C
Ambient Humidity: 30 ~ 85%
Fluid: Air

Applications

Medical equipment, analyzers, etc.

Sketch Drawing and Mounting Dimensions Diagram (mm)

