

COMPRESSOR

LINEAR Piston DC



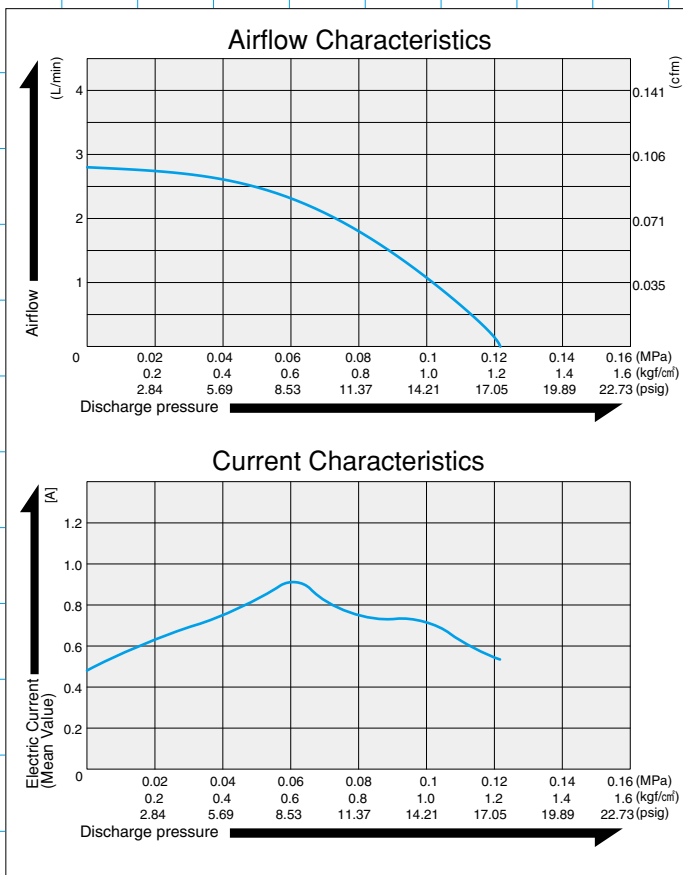
MOTOR FREE
PISTON SYSTEM



DAH110-X1 (12 V DC)

Airflow & Electric Current

Specifications



	(SI)	(EURO)	(U.S.A.)
Rated Pressure	0.1 MPa {1.0 kgf/cm ² }	1.0 bar	14.2 psig
Rated Airflow	1.0 L/min ^{※1}		
Rated Voltage	12 V DC		
Maximum Pressure	0.12 MPa {1.2 kgf/cm ² }	1.2 bar	17.1 psig
Current (Mean Value)	0.74A		
Life Expectancy	5,000 hours (MTTF)		
Outlet	4.7 mm O.D. hose barb		
Duty Cycle	Continuous		
Coil Insulation Class	A or its equivalent		
Mounting Dimensions	76 mm(L) x 70 mm(W)	3"(L) x 2-3/4"(W)	
Gross Weight	0.91 kg		2.01 Lbs.
Leadwire Length	300 mm		11-13/16"

※1: Air displacement at rated pressure.
Please read the page of "How to Use This Catalog" first for correct use of compressors and pumps.

General Conditions

Ambient Temperature: 0 ~ 40°C
Ambient Humidity: 30 ~ 85%
Fluid: Air

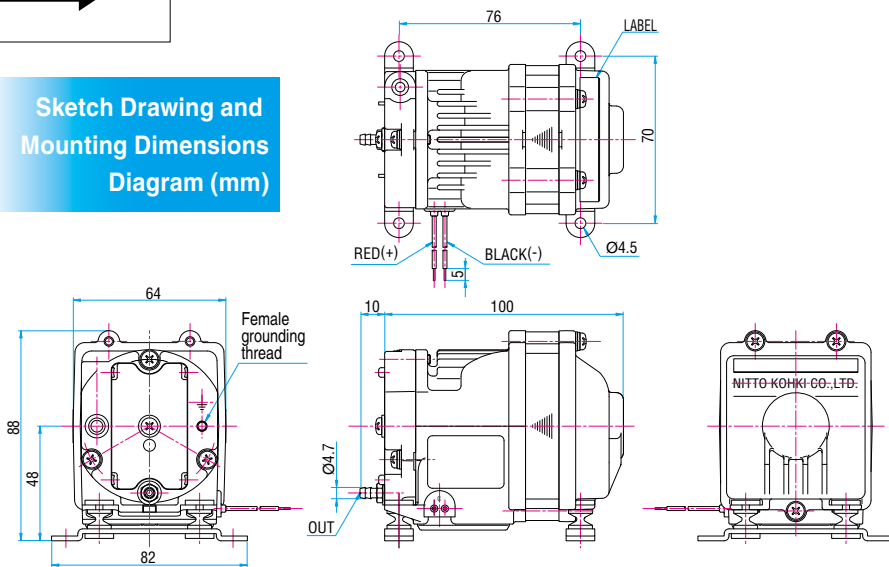
Applications

Medical equipment, analyzers, etc.

Heavy duty rubber feet available on request. To prevent drop damage when located within portable devices.



Sketch Drawing and Mounting Dimensions Diagram (mm)



COMPRESSOR

LINEAR Piston DC



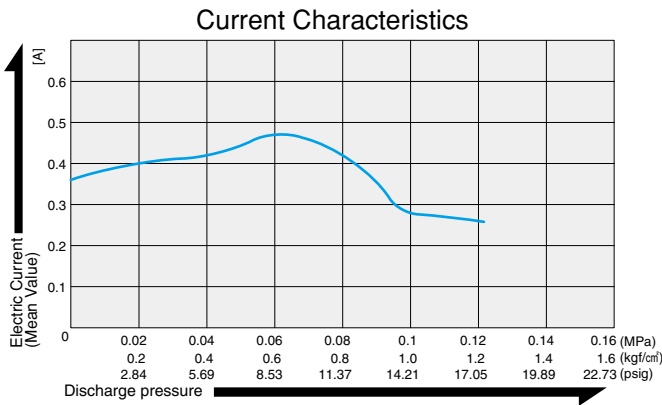
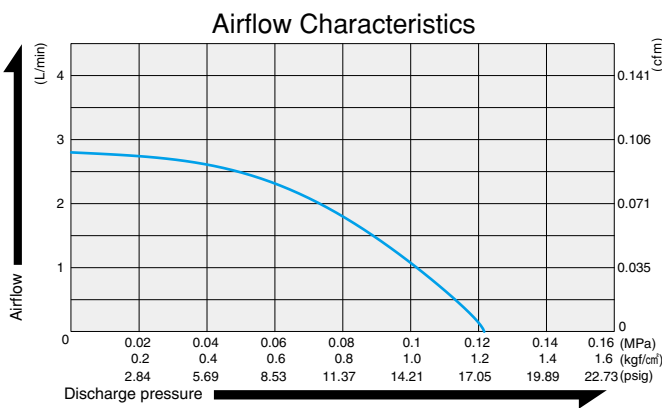
MOTOR FREE
PISTON SYSTEM



DAH110-Y1 (24 V DC)

Airflow & Electric Current

Specifications



	(SI)	(EURO)	(U.S.A.)
Rated Pressure	0.1 MPa (1.0 kgf/cm ²)	1.0 bar	14.2 psig
Rated Airflow	1.0 L/min ^{*1}		0.035 cfm
Rated Voltage	24 V DC		
Maximum Pressure	0.12 MPa (1.2 kgf/cm ²)	1.2 bar	17.1 psig
Current (Mean Value)	0.27A		
Life Expectancy	5,000 hours (MTTF)		
Outlet	4.7 mm O.D. hose barb		
Duty Cycle	Continuous		
Coil Insulation Class	A or its equivalent		
Mounting Dimensions	76 mm(L) x 70 mm(W)	3"(L) x 2-3/4"(W)	
Gross Weight	0.91 kg	2.01 Lbs.	
Leadwire Length	300 mm	11-13/16"	

^{*1}: Air displacement at rated pressure.
Please read the page of "How to Use This Catalog" first for correct use of compressors and pumps.

General Conditions

Ambient Temperature: 0 ~ 40°C
Ambient Humidity: 30 ~ 85%
Fluid: Air

Applications

Medical equipment, analyzers, etc.

Heavy duty rubber feet available on request. To prevent drop damage when located within portable devices.



Sketch Drawing and Mounting Dimensions Diagram (mm)

