

Inert Isolation PTFE Series 1

3-Way Solenoid Valve



The 3 way inert Series 1 valve has been designed for systems where chemical compatibility is most important. The wetted path is isolated from the solenoid, and only PTFE and borosilicate glass are in contact with the media passing through the valve. Low internal volume and fast response time ensure repeatable, accurate volumes. Valves will operate without any pressure or vacuum.

Features

- Provides unsurpassed chemical compatibility for a wide range of media with wetted parts of only PTFE and borosilicate glass.
- 100% continuous duty rating in ambient temperatures up to 66C
- Low power for reduced heat and power consumption
- Fast response times for accurate, repeatable results
- Direct acting does not require pressure or vacuum to operate
- 100% tested tight leak rate provides assurance of a quality seal
- Provides reliable operation for the life of your instrument

Physical Properties

Valve Type:
3-Way diaphragm
Media:
Liquids and gases
Operating Environment:
40 to 150°F (4 to 66°C)
Size: See Dimensions
Porting:
1/4-28 Threaded Ports
Weight:
2.7 oz
Internal Volume:
68 µL

Electrical

Power:	Voltage:	Current:	Resistance:
			(Ω +5% @ 70°F)
2.5 Watts	12 VDC	211 ma	57 Ω
4.2 Watts	24 VDC	173 ma	139 Ω
12" Lead Wires Standard			

Wetted Materials

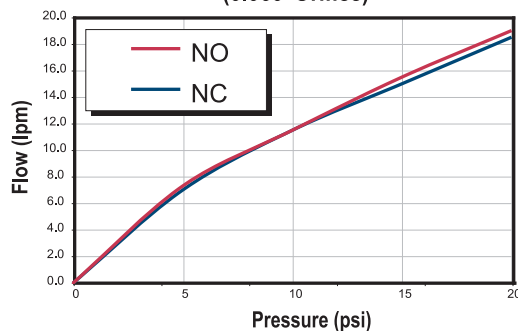
Materials Contacting Media:
PTFE, Borosilicate Glass
Body Options:
PTFE, <i>Consult factory for custom options</i>

Performance Characteristics

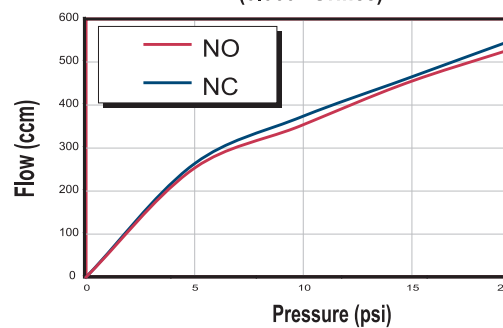
Operating Pressure:
24" Hg - 20 psi (1.38 BAR)
Proof Pressure: 60 psi
Response Time:
<12 milliseconds cycling
Orifice Diameters: 0.060" (1.52 mm)
Leak Rate: Bubble Tight
Recommended Filtration: 10 µ max

Flow

SERIES 1 AIR FLOW
(0.060" Orifice)

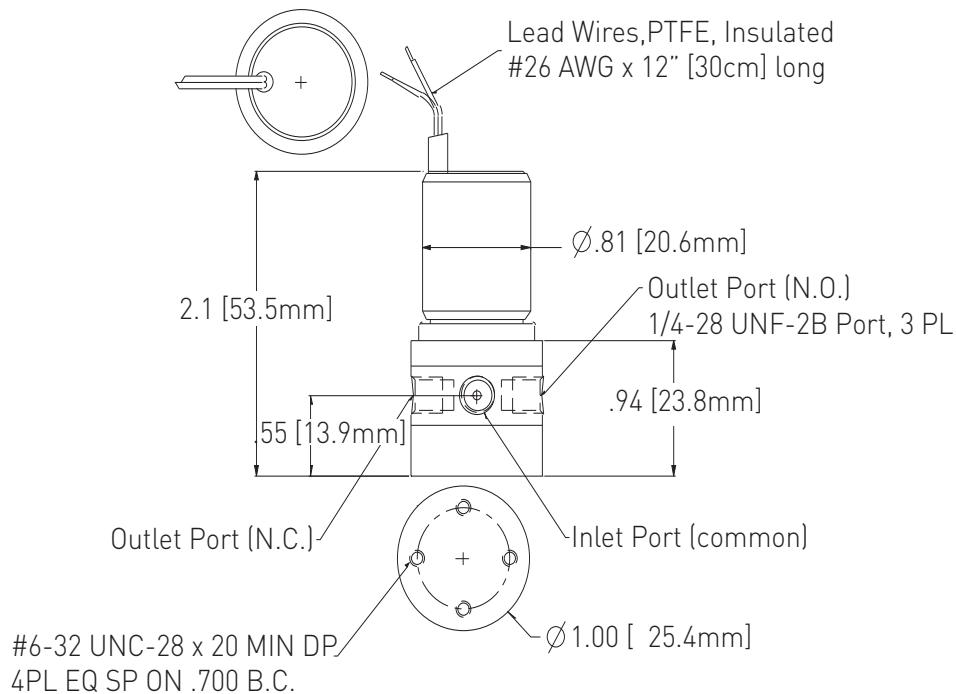


SERIES 1 WATER FLOW
(0.060" Orifice)



Inert Isolation PTFE Series 1

Dimensions



Ordering Information

part description	part number	
	001-0017-900	001-0028-900
Valve Type	3-Way	3-Way
Media	Liquids & Gases	Liquids & Gases
Operating Pressure	24" Hg - 20 psi	24" Hg - 20 psi
Orifice	0.060"	0.060"
Valve Body Material	PTFE	PTFE
Voltage	12 VDC	24 VDC
Porting	1/4 - 28	1/4 - 28
Operating Environment	50 - 150 deg F	50 - 150 deg F
Material Contact Media	PTFE	PTFE



PPF-MMV-002/US Sept 2009

For more information call 1.800.525.2857 or email ppfinfo@parker.com
Visit www.parker.com/precisionfluidics

